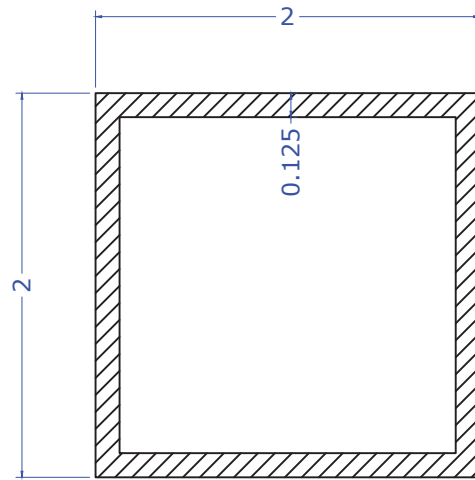
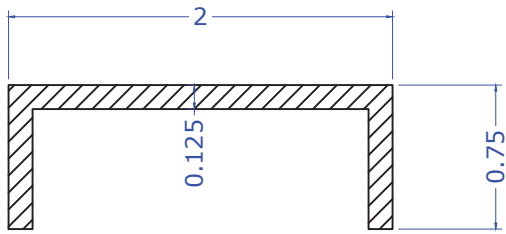


Detail 01: Top Molding Profile  
Scale: 1" = 1"

Detail 02: Baluster Profile  
Scale: 1" = 1"



Detail 03: Channel Profile  
Scale: 1" = 1"

Detail 04: Post Profile  
Scale: 1" = 1"

**Trylon**  
METAL WORKS, INC  
136 Park Ave, Lyndhurst, NJ 07071  
Ph 201.939.8282 Fax 201.939.0799  
NJ HIC 13VH02718000